

FEATURES

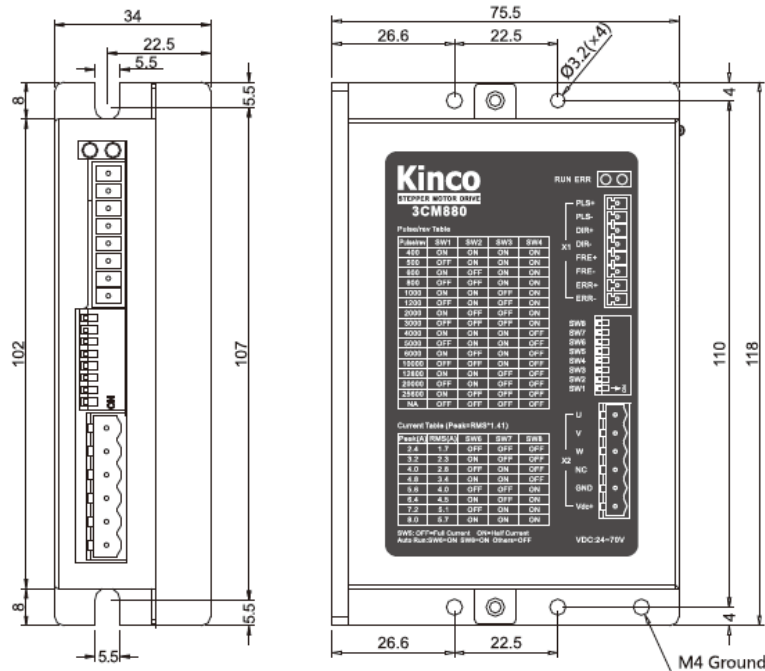
- Supply Voltage 24 ~ 70VDC
- Over Voltage Protection Above 85VDC
- Low Voltage Protection Below 15VDC
- Cooling Method (Cooling by Air)
- Operation Temperature 0° ~ +40°
- Operating Humidity 85% RH (No-Condensing or Water Drops)
- Weight 0.29Kg
- Protection Level IP20



DESCRIPTION

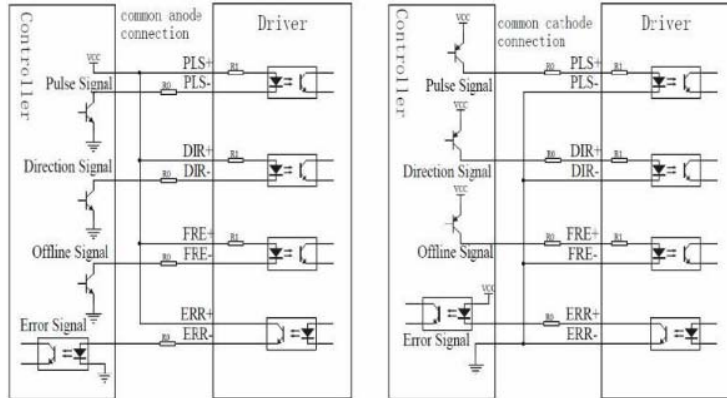
The 3CM880 Series Stepper Driver provides improved dynamic drive performance. This series drive accepts 24~70VDC input, with up to 8 Amps per phase, and provides users with a step resolution of up to 25,600 steps per revolution. As an additional feature, this drive provides users with the ability to select an auto reduce current setting which helps reduce power consumption and motor heat, which improves motor lifetime. Also, the isolation inputs help minimize interference from external electrical equipment as well as improving performance.

DIMENSIONS

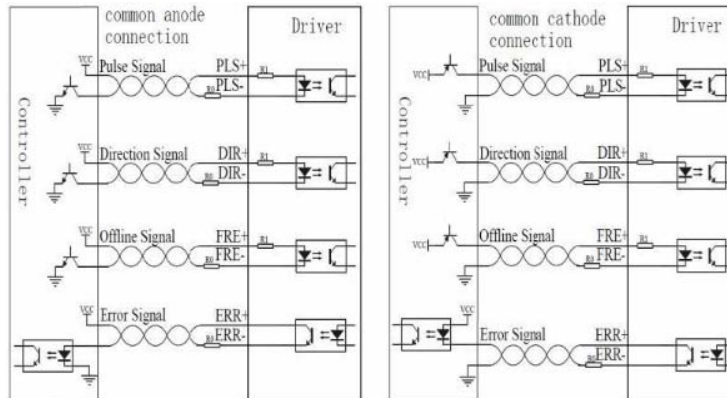


(Units Are In mm)

L011324



General Wiring Diagram



Twisted Wiring Diagram

Micro Step Setting ( Unit: Pulse/Rev )				
SW1	SW2	SW3	SW4=ON	SW4=OFF
ON	ON	ON	400	4000
OFF	ON	ON	500	5000
ON	OFF	ON	600	6000
OFF	OFF	ON	800	10000
ON	ON	OFF	1000	12800
OFF	ON	OFF	1200	20000
ON	OFF	OFF	2000	25600
OFF	OFF	OFF	3000	NA

Current Setting (Unit: A)				
SW6	SW7	SW8	RMS	PEAK
ON	ON	ON	5.7	8
OFF	ON	ON	5.1	7.2
ON	OFF	ON	4.5	6.4
OFF	OFF	ON	4	5.6
ON	ON	OFF	3.4	4.8
OFF	ON	OFF	2.8	4
ON	OFF	OFF	2.3	3.2
OFF	OFF	OFF	1.7	2.4

Function	Settings	Description
Pulse and Direction Input	SW6, SW7=ON; Others OFF	1. Power Off the Driver and Set the Function First.
Dual-Pulse Input	SW7, SW8=ON; Others OFF	2. Power On the Driver. The Indicator LED Status is RUN LED is Blinking Slowly and Error LED is On Constantly, Which Means the Setting is Successful.
Disable Micro Step Dynamic Position Filter	SW5, SW6=ON; Others OFF	
Enable Micro Step Position Filter	SW5, SW7=ON; Others OFF	3. Power Off the Driver, Set Micro Step and Current, then Power On.

L011324

### Technical Specifications

Supply Voltage	24VDC~70VDC
Over-Voltage Protection	Above 85VDC
Under-Voltage Protection	Below 15VDC
Phase Current	2.4 to 8 (Unit: A)
Micro Step	400~25600 Pulse/rev, Total 15 Different Micro Steps
Adaptable Motor	57 and 86 Flange, 2-Phase Hybrid Stepper Motor
Input Signal	PLS(CW), DIR(CCW), FREE signal; Input Voltage: 5~24VDC, Input Current: 8mA@5VDC, 12mA@24VDC
Output Signal	ERR, Open Connector Output, Maximum Current: 100mA
Control Signal Mode	PLS+DIR; Dual-Pulse CW/CCW
Automatic Half Current	The Driver Will Reduce Phase Current of the Motor by A Half in 1.5 Seconds
Protection	Over/low Voltage Alarm, Over Current Alarm and Overheat Protection

### Technical Specifications (Environment)

Cooling Method	Cooling by Air
Operation Environment	Avoid the Environment with Great Amount of Metallic Powder, Oil Mist, or Erosive Gases
Operation Humidity	85%, RH (Non-Condensing or Water Drops)
Operation Temperature	0° C - +40° C
Storage Temperature	-20° C~ +70° C
Weight (Net)	0.25Kg
Dimensions	108x75.5x34 mm
Ingress Protection	IP20